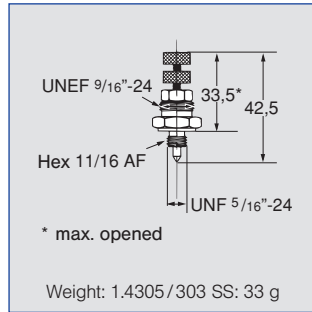
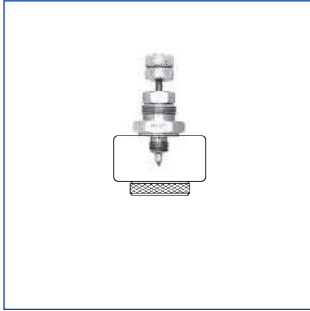




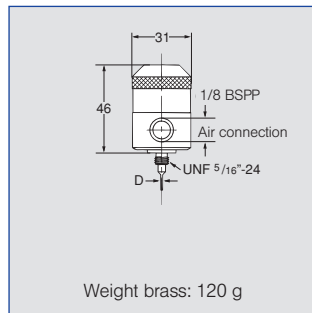
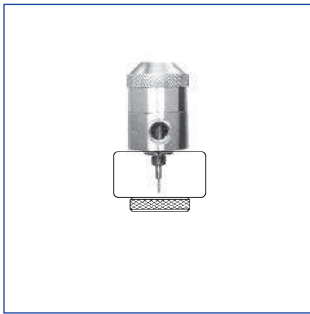
Accessories for pneumatic atomizing nozzles of the series 136.1 - 136.6

Regulating device and shutting-off needle:



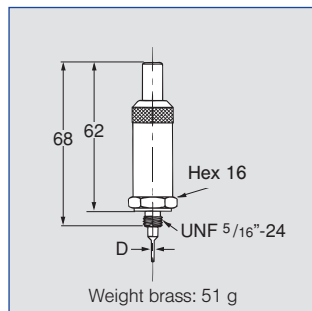
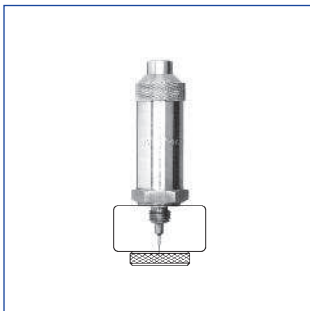
Ordering no.		For all nozzles of the series 136
Type	Mat. no.	
015. 600	16 1.4305/303 SS	

Pneumatically controlled valve. Opening pressure 2,1 bar, max. 180 cycles/min.



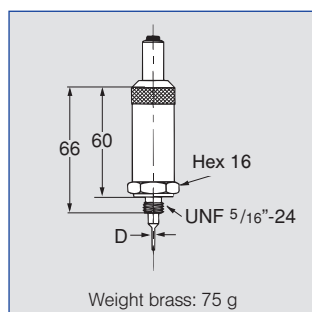
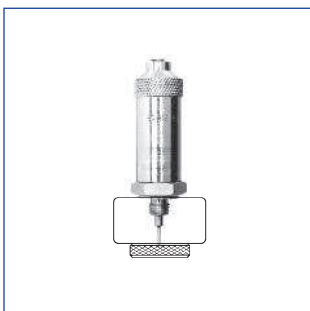
Ordering no.		For nozzles	Needle diameter D [mm]
Type	Mat. no.		
	16 35 1.4305/ 303 SS Brass plated		
015. 601. xx. 01	○ ○	136. xxx. xx. 11	2,4
015. 601. xx. 02	○ ○	136. xxx. xx. 12	1,4
015. 601. xx. 03	○ ○	136. xxx. xx. 13	1,0
015. 601. xx. 04	○ ○	136. xxx. xx. 14	0,7
015. 601. xx. 05	○ ○	136. xxx. xx. 15	0,5
015. 601. xx. 06	○ ○	136. xxx. xx. 16	0,3

Quick-cleaning device



Ordering no.		For nozzles	Needle diameter D [mm]
Type	Mat. no.		
	16 35 1.4305/ 303 SS Brass plated		
015. 602. xx. 01	○ ○	136. xxx. xx. 11	2,4
015. 602. xx. 02	○ ○	136. xxx. xx. 12	1,4
015. 602. xx. 03	○ ○	136. xxx. xx. 13	1,0
015. 602. xx. 04	○ ○	136. xxx. xx. 14	0,7
015. 602. xx. 05	○ ○	136. xxx. xx. 15	0,5
015. 602. xx. 06	○ ○	136. xxx. xx. 16	0,3

Regulating device with quick-cleaning needle



Ordering no.		For nozzles	Needle diameter D [mm]
Type	Mat. no.		
	16 35 1.4305/ 303 SS Brass plated		
015. 603. xx. 01	○ ○	136. xxx. xx. 11	2,4
015. 603. xx. 02	○ ○	136. xxx. xx. 12	1,4
015. 603. xx. 03	○ ○	136. xxx. xx. 13	1,0
015. 603. xx. 04	○ ○	136. xxx. xx. 14	0,7
015. 603. xx. 05	○ ○	136. xxx. xx. 15	0,5
015. 603. xx. 06	○ ○	136. xxx. xx. 16	0,3

Example Type + Material no. (xx) = Ordering no.
for ordering: 015. 602. xx. 01 + 16 = 015. 602. 16. 01