

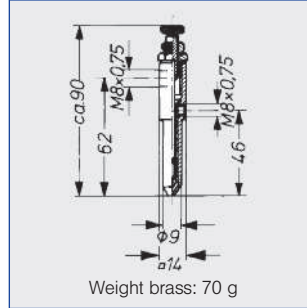


Pneumatic atomizing nozzles, Full cone, siphon principle, internal mixing Series 140



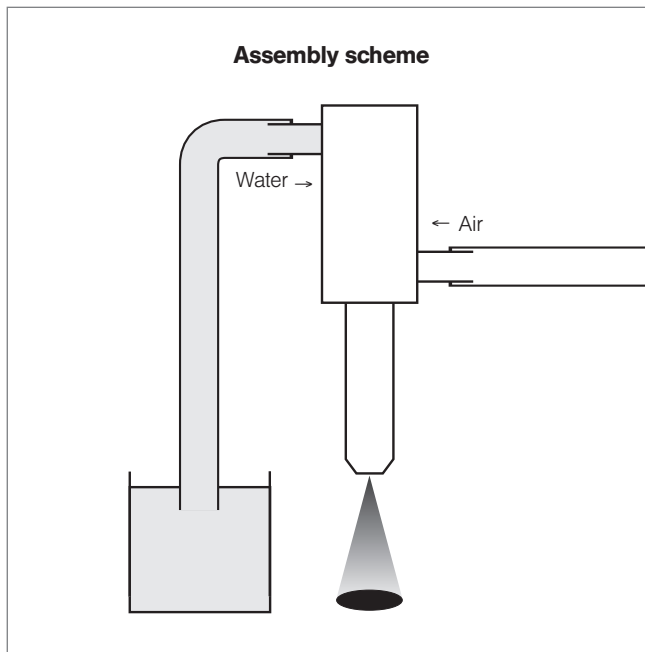
Particularly fine full cone atomization. Siphon principle. Internal mixing of fluids. Integrated regulating device.

Applications:
Lubrication, cooling, humidification of air.



Spray angle	Ordering no.	E ∅ [mm]		H _s Aspiration height [mm WS]	\dot{V}_W = Liquid \dot{V}_A = Air							
		Water	Air		p [bar] Air pressure							
					0,5		1,0		2,0		3,0	
					W [l/h]	L [m ³ /h]	W [l/h]	L [m ³ /h]	W [l/h]	L [m ³ /h]	W [l/h]	L [m ³ /h]
20°-30°	140. 252. 30. 01	0,50	0,75	500 200	- 4,50	- 2,50	4,50 7,00	4,00 4,00	8,00 10,00	6,00 6,00	10,50 12,00	8,00 8,00

E = narrowest free cross section (water)



Accessories:

Gasket
014. 040. 72
7,8 x 12 x 1 (EWP 210)



Nipple
014. 010. 30. 04
(Material brass)
Weight: 17 g

