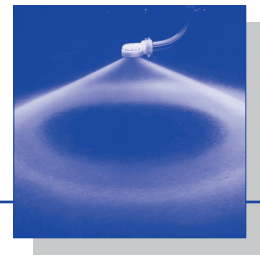




Tangential-flow hollow cone nozzles

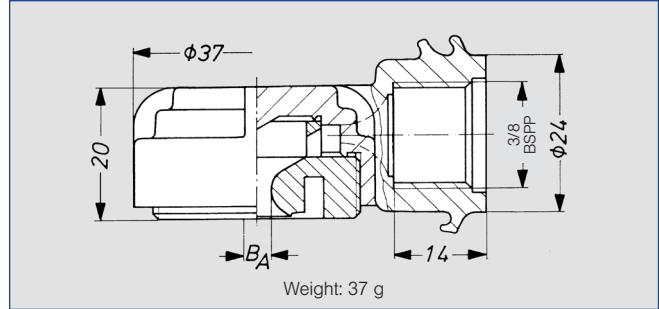
Series 350



High-performance eccentric spray nozzles for air-conditioning. Narrow drop spectrum and extremely uniform distribution of liquid over the entire spray pattern.

Applications:

Humidification of air in air washers, dust control, spraying onto filters, foam control.

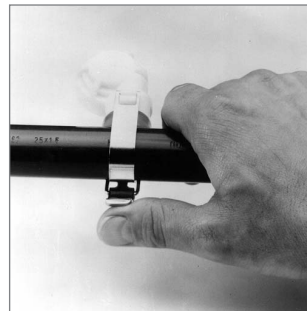
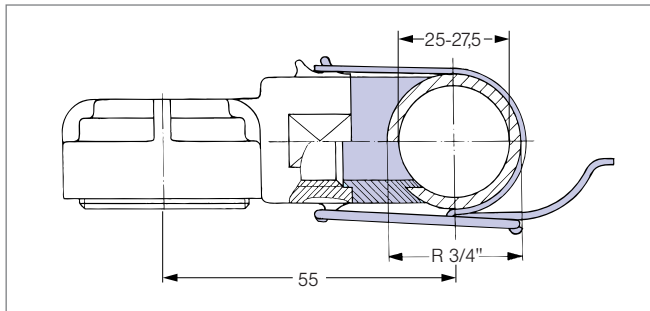


Spray angle	Ordering no.		B Ø [mm]	E Ø [mm]	\dot{V} [l/min]							Spray diameter D at p = 2 bar	
	Type	Mat. no.			p [bar]							H	
					p _{max} : 20 bar							H = 250 mm	H = 500 mm
130°	350. 368	○	1,55	0,70	0,32	0,45	0,63	0,77	1,00	1,18	1,41	1120	2000
	350. 608	○	5,00	1,40	1,58	2,23	3,15	3,86	4,98	5,89	7,04	1140	2100

B = bore diameter · E = narrowest free cross section

Example for ordering	Type 350. 368	+ Material no. + 56	= Ordering no. = 350. 368. 56
-----------------------------	-------------------------	-------------------------------	---

Accessories



Quick snap clamp unit · **Ord.-no.: 035. 030. 15. 05. 00. 0**
consisting of: Stainless steel clamp and polyurethan gasket

Bore-ø: 18 mm

Conversion formula for the above series: $\dot{V}_2 = \dot{V}_1 \cdot \sqrt{\frac{p_2}{p_1}}$

