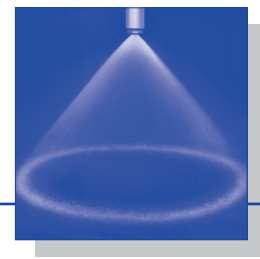


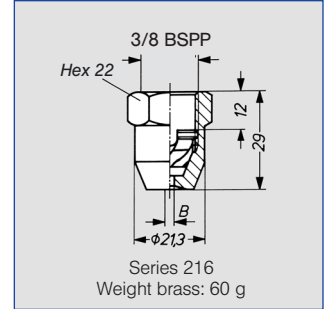
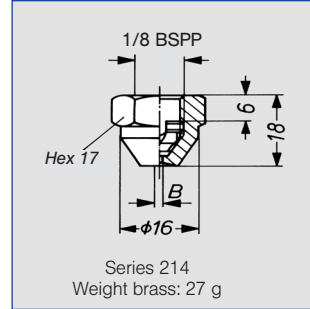
Axial-flow hollow cone nozzles

Series 214 / 216



Fine, uniform hollow cone spray.

Applications:
Cooling and cleaning of air and gas, dust control, spraying onto filters, spray drying, desuperheating.



Spray angle	Ordering no.		G	B ∅ [mm]	E ∅ [mm]	V̇ [l/min]							Spray diameter D at p = 3 bar		
	Type	Mat. no.				p [bar]							 H = 250 mm H = 500 mm		
		17				30	0,5	1,0	2,0	3,0	5,0	10,0			20,0
60°	214. 184	○	○	1/8"	0,50	0,50	-	-	0,08	0,10	0,13	0,18	0,25	200	300
	214. 245	○	○	1/8"	1,00	0,50	-	-	0,16	0,20	0,25	0,36	0,51	450	810
80°	214. 305	○	○	1/8"	1,80	0,50	-	0,23	0,32	0,39	0,51	0,72	1,01	450	810
	216. 324	○	○	3/8"	1,00	1,00	-	0,28	0,40	0,49	0,63	0,89	1,26	200	300
60°	216. 364	○	○	3/8"	1,40	1,40	-	0,45	0,63	0,77	1,00	1,41	1,99	200	300
	216. 404	○	○	3/8"	2,00	2,00	-	0,71	1,00	1,22	1,58	2,24	3,16	200	300
90°	216. 496	○	○	3/8"	3,00	2,00	-	1,20	1,70	2,08	2,69	3,80	5,38	500	820
	216. 566	○	○	3/8"	4,00	2,00	-	1,77	2,50	3,06	3,95	5,59	7,91	500	820
	216. 646	○	○	3/8"	3,50	2,00	2,00	2,83	4,00	4,90	6,32	8,94	12,65	500	820
	216. 686	○	○	3/8"	4,00	2,00	2,50	3,54	5,00	6,12	7,91	11,18	15,81	500	820
	216. 726	○	○	3/8"	5,00	2,00	3,15	4,45	6,30	7,72	9,96	14,09	19,92	500	820
	216. 776	○	○	3/8"	6,00	2,00	4,30	6,00	8,50	10,40	13,40	19,00	26,90	500	820

B = bore diameter · E = narrowest free cross section

Example	Type	+	Material no.	=	Ordering no.
for ordering:	214. 184	+	17	=	214. 184. 17

The folded page at the end of the catalogue will give you a survey on the various assembly possibilities. For complete assembly accessories, please refer to „Accessories“.