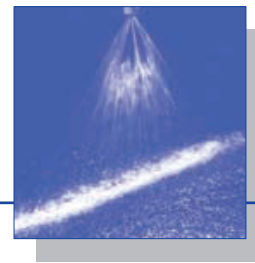




# Flat fan nozzles with dove-tail guide Series 664 / 665



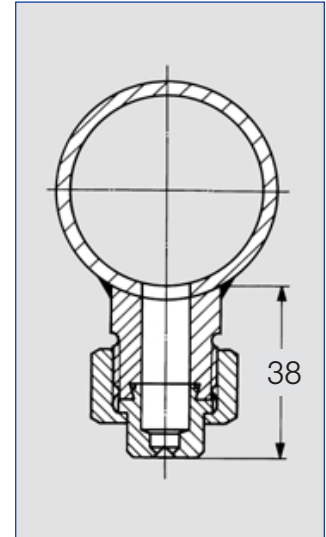
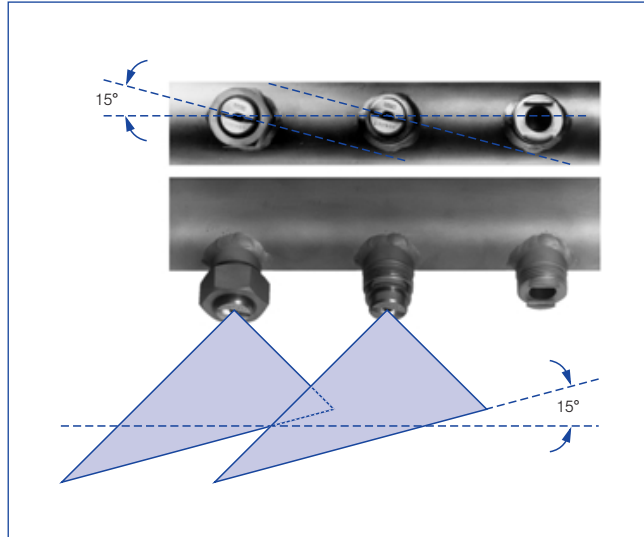
## Accessories



Weight: 65 g  
Nipple, **066.410.17** (1.4571)



Weight brass: 60 g  
Retaining nut, **065.600.16** (1.4305)  
**065.600.17** (1.4571)  
**065.600.30** (Brass)



Pretreatment in a pickling line

Conversion formula for the above series:  $\dot{V}_2 = \dot{V}_1 * \sqrt{\frac{p_2}{p_1}}$

