



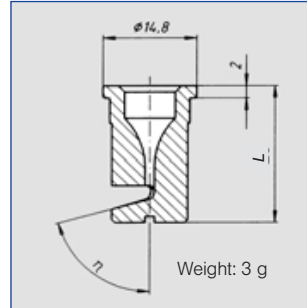
## Tongue-type nozzles for retaining nut Series 684

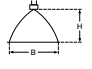


**Assembly with retaining nut.  
Wide flat fan with a sharply  
delimited spray pattern.  
Particularly clog-proof. Easy  
nozzle changing, simple jet  
alignment.**

Applications:

Foam control in storage tanks  
and sewage treatment plants.  
Cleaning and washing process,  
requiring powerful and concen-  
trated water jets.



Spray angle	$\eta$	Ordering no.		Colour	B $\emptyset$ [mm]	$\dot{V}$ [l/min]			L [mm]	Spray width B at $p = 2$ bar  H = 250 mm	
		Type	Mat.- no.			p [bar]					
			56			5E	1,0	2,0			5,0
140°	75°	684. 348	○	-	green	0,7	0,35*	0,50	0,79	20	1360
	75°	684. 368	○	○	yellow	0,8	0,45*	0,63	1,00	20	1360
	75°	684. 408	○	-	blue	1,0	0,71	1,00	1,58	20	1370
	75°	684. 448	○	-	red	1,2	0,88	1,25	1,98	20	1370
	75°	684. 488	○	○	brown	1,3	1,13	1,60	2,53	20	1370
	75°	684. 528	○	-	grey	1,5	1,41	2,00	3,16	20	1370
	75°	684. 568	○	○	white	1,7	1,77	2,50	3,95	19	1370
	75°	684. 608	○	-	light blue	1,9	2,23	3,15	4,98	19	1370
	75°	684. 688	○	-	green	2,4	3,54	5,00	7,91	17	1370
	75°	684. 728	○	○	black	2,7	4,45	6,30	9,96	17	1370
	75°	684. 808	○	-	purple	3,4	7,07	10,00	15,81	16	1370

B = bore diameter · \* Differing spray pattern

<b>Example</b>	<b>Type</b>	<b>+</b>	<b>Material no.</b>	<b>=</b>	<b>Ordering no.</b>
<b>for ordering:</b>	684. 368	+	16	=	684. 368. 16

**The folded page at the end of the catalogue will give you a survey on the various assembly possibilities. For complete assembly accessories, please refer to „Accessories“.**

