



Flat fan ball joint

„Easy-Clip“



Quick and easy assembly with clamp. No tools required. Allround swivelling by 30°. Easy adjustment and cleaning.

Applications:

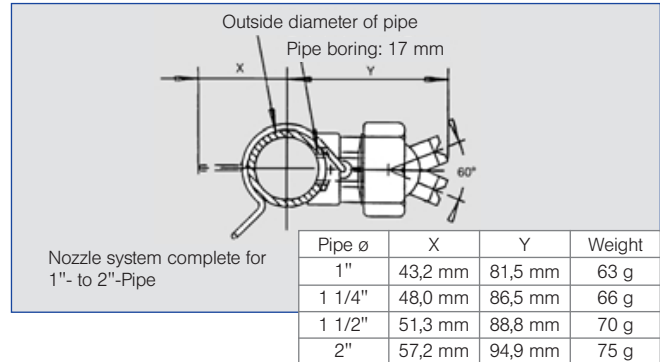
Degreasing, phosphating in surface treatment.

Materials:

Clamp: Stainless steel 1.4300

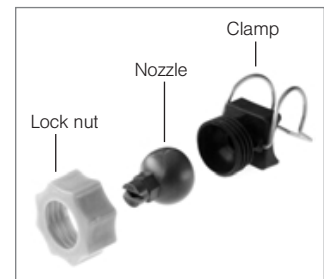
Sealing: EPDM

all other components: glass reinforced polypropylene



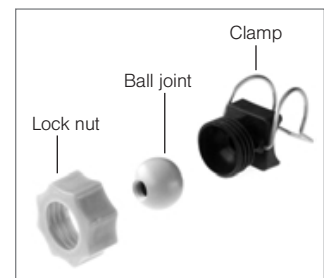
Nozzle system complete (with clamp for 1 1/4"- pipe and lock nut)

Ordering no.	Colour nozzle	↙	ṽ [l/min]				
			p [bar]				
			0,5	1,0	1,5	2,0	2,5
676. 724. 53. 31	grey	60°	3,15	4,45	5,45	6,30	7,04
676. 804. 53. 31	purple		5,00	7,07	8,66	10,00	11,18
676. 844. 53. 31	yellow		6,25	8,84	10,83	12,50	13,98
676. 884. 53. 31	red		8,00	11,31	13,85	16,00	17,89
676. 924. 53. 31	green		10,00	14,14	17,32	20,00	22,36



Ball joint system complete (with clamp for 1 1/4"- pipe and lock nut)

Ordering no.	Colour ball	Nozzle connection	For nozzle series
092. 081. 53. AD	beige	1/4 BSPP	460, 544, 632
092. 081. 53. AF	beige	3/8 BSPP	422, 460, 688



Components

Nozzle

Ordering no.	Colour	↙	ṽ [l/min]				
			p [bar]				
			0,5	1,0	1,5	2,0	2,5
676. 724. 53. 30. 01	grey	60°	3,15	4,45	5,45	6,30	7,04
676. 804. 53. 30. 01	purple		5,00	7,07	8,66	10,00	11,18
676. 844. 53. 30. 01	yellow		6,25	8,84	10,83	12,50	13,98
676. 884. 53. 30. 01	red		8,00	11,31	13,85	16,00	17,89
676. 924. 53. 30. 01	green		10,00	14,14	17,32	20,00	22,36

Can also be combined with MEMOSPRAY (see page 4.34)

Ball joint

Ordering no.	Colour	Nozzle connection	For nozzle series
092. 080. 53. AD. 01	beige	1/4" BSPP	460, 544, 632
092. 080. 53. AF. 01	beige	3/8" BSPP	422, 460, 688

Clamp complete (with clip and sealing)

Ordering no.	for pipe size
092. 080. 53. 00	1"
092. 081. 53. 00	1 1/4"
092. 082. 53. 00	1 1/2"
092. 083. 53. 00	2"

Lock nut

Ordering no.
092. 080. 53. 00. 02

Conversion formula for the above series: $\dot{V}_2 = \dot{V}_1 \cdot \sqrt{\frac{P_2}{P_1}}$

