



# Static spray balls

## Series 540 / 541 / 591



### Series 540

- Very compact static spray ball
- Sharp solids jets, excellent for rinsing small drums
- Also to use with saturated steam
- Partial coverage (120°/ 240°)

**Max. tank diameter:**

1 – 3 m

**Operating pressure:**

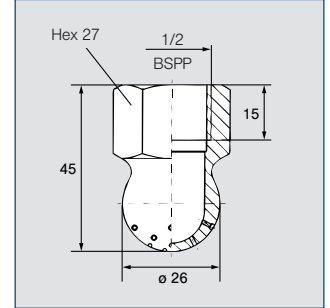
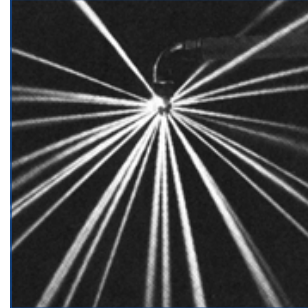
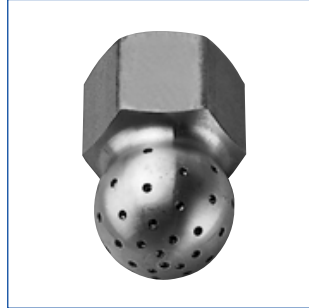
1 – 3 bar

**Temperature range:**

90 °C

**Materials:**

Stainless steel AISI 303



Spray angle	Ordering no. Type	B Ø [mm]	Flow rate [l/min]				40 psi [US gal./min]
			Δ p [bar]				
240°		0,8	9,0	18,0	28,5	5,6	
		1,0	14,0	28,0	44,3	8,7	
		1,5	28,5	57,0	90,1	17,7	
		2,0	45,0	90,0	142,3	27,9	
		2,3	59,0	118,0	186,6	36,6	

**NEW!**

B = Bore diameter · NPT on request.

### Series 591

- Popular sprayball design
- For higher flow rates
- corrosion resistant material
- Available in different sizes

**Max. tank diameter:**

1 – 5 m

**Operating pressure:**

1 – 3 bar

**Temperature range:**

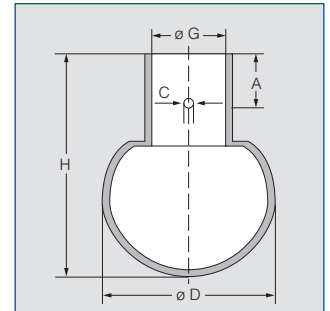
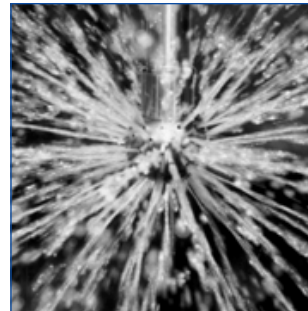
200 °C

**Materials:**

Stainless steel AISI 316TI

Pin:

Stainless steel AISI 316L



Spray angle	Ordering no. Type	E Ø [mm]	Effective cleaning Ø [m]	Flow rate [l/min]					Dimensions ca. [mm]					
				Δ p [bar] (Δ p <sub>max</sub> = 5 bar)					Ø D	Length H	Connection B	Slip-on C	A	
360°		1,2	0,5-1,0	25	35	49	61	15						24
		1,2	1-1,5	49	70	99	121	31	30	42	18,2	DN15	2,2	9,0
		2,0	2-2,5	91	128	181	222	56	40	53	22,2	DN20	2,5	9,0
		2,1	2,0-3,0	130	183	259	318	80	64	90	28,2	DN25	2,8	18,0
		3,0	3,0-4,0	206	292	412	505	128	64	90	28,2	DN25	2,8	18,0
180°		2,0	2,0-2,5	74	105	148	182	46	40	53	22,2	DN20	2,5	9,0
		3,0	3,0-4,0	146	207	292	358	91	64	90	28,2	DN25	2,8	18,0
		2,1	2,5-3,0	103	145	205	251	64	64	90	28,2	DN25	2,8	18,0
		2,2	4,0-4,5	230	325	460	563	142	90	122	52,3	DN50	3,3	25,0

For additional spray angles and nozzle sizes please refer to our brochure »Tank Cleaning Nozzles«.

