



Whirling Nozzle

Series 569



! Now smaller, lighter, with improved bearings

The time-tested design of the Lechler Whirling Nozzle now has been completely redesigned:

- Flat jet nozzles with improved vertical coverage
- Better balance for smoother operation
- Fits through smaller openings
- Slip-on or thread connection (adapter) or Tri-Clamp
- Replaces former series 566-569.xxx.17
- In horizontal installation position no rotating until 2 bar

Applications

For small and medium sized tanks e.g. in Chemical, Beverage, Food industries

There are three standard inlets available:

- For general industrial use: 3/4" ISO female
- For sanitary CIP use: Slip-on 3/4" OD tubing (on request)
- For manual insertion: 1" Tri-Clamp (on request)

Max. tank diameter:

Rinsing: 5 m
Cleaning: 3 m

Operating pressure:

1 – 2,5 bar

Temperature range:

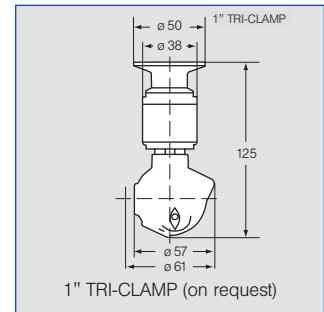
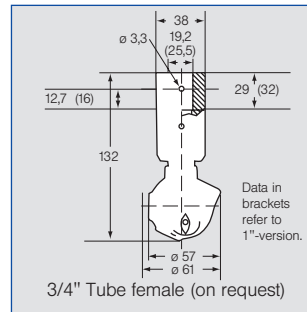
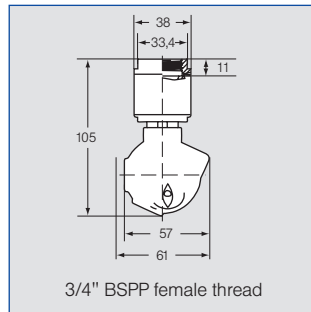
140 °C

Material:

Stainless steel AISI 316L

Bearing:

Double bearings made of stainless steel AISI 316L with PEEK-cage.



Spray angle	Ordering no.		E ∅ [mm]	Flow rate [l/min]				40 psi [US gal/ min]
	Type	Connection		Δ p [bar]		Δ p _{max} = 6 bar		
270°	569.055.1Y	AL	1,0	36	51	62	15	
	569.135.1Y	AL	1,0	52	73	89	22	
	569.195.1Y	AL	1,0	69	97	119	30	
360°	569.059.1Y	AL	1,0	36	51	62	15	
	569.139.1Y	AL	1,0	52	73	89	22	
	569.199.1Y	AL	1,0	69	97	119	30	
	569.279.1Y	AL	1,0	103	145	178	45	

E = narrowest free cross-section · *NPT on request

Please note: We do not recommend the operation with compressed air. Higher pressure generally means higher wear and smaller droplets. This might have adverse effects on the cleaning result. We recommend the use of a line strainer 0,3 mm/50 mesh.

Example for ordering:	Type	+	Connection	=	Ordering no.
	569.055.1Y.	+	AL	=	569.055.1Y.AL

For additional spray angles and nozzle sizes please refer to our brochure »Tank Cleaning Nozzles«.

