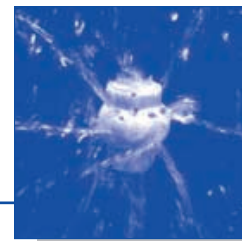




Teflon® Whirling Nozzle – especially for CIP applications Series 573 / 583



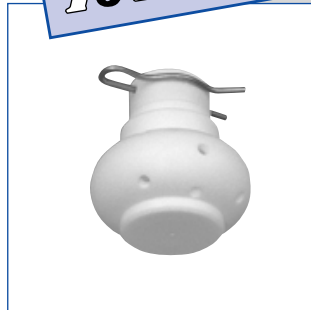
A[®]3 Sanitary version fulfils the hygienic requirements of »3-A«*.

Whirling nozzles made entirely from PTFE combine maximum corrosion resistance with minimum weight and size. The rotating head uses solid stream nozzles, which offer concentrated impact combined with rinsing action between individual streams.

- Balanced rotating action
- Gap-free all-around cleaning
- Operates in every position

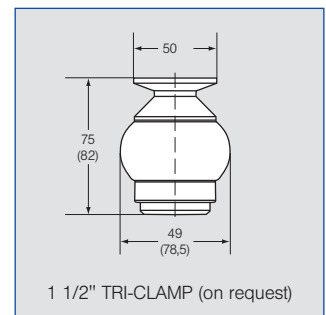
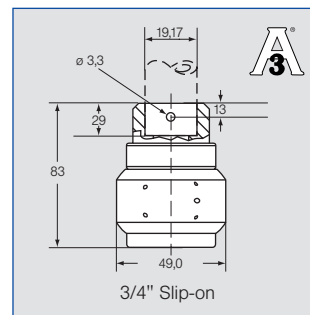
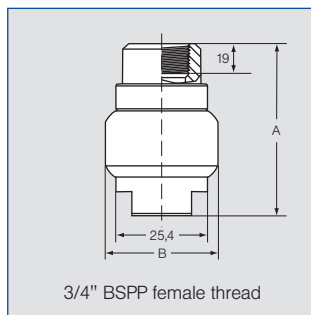
For environments with special sanitary requirements: use the Sanitary slip-on pin connection:

- design meets 3A standards, e.g.
- smooth surface finish
- self draining and flushing design



There are three standard inlets available:

- For general industrial use: 3/4" or 1" ISO female
- For sanitary CIP use: Slip-on 3/4"
- For manual insertion: 1 1/2" Tri-Clamp (on request)



Applications

For rinsing of small and medium sized vessels, e.g. in the Dairy, Chemical, Pharmaceutical, Food Industry

- Excellent for corrosive environments
- Recommended for glass-lined or email tanks

Max. tank diameter:

Rinsing: 5 m
Cleaning: 3 m

Operating pressure:

1 – 2 bar

Max. Temperature:

95 °C

Materials:

- PTFE (Teflon®)
- R-pin: Stainless steel AISI 316L with PEEK-cage.

Bearing:

PTFE slide bearing

Versions for use with higher temperatures on request.

Spray angle	Ordering no.				E ∅ [mm]	Flow rate [l/min]					Length A [mm]	Max. width B [mm]
	Type	Connection				Δ p [bar] (Δ p _{max} = 6 bar)						
		3/4 BSPP*	1 BSPP*	3/4" Slip-on		1	2	3	4	40 psi [US gal./min]		
270°	583.266.55	AL	-	TF07	1,0	103	145	178	205	45	74	49
270°	573.266.55	AL	-	TF07	1,0	103	145	178	205	45	74	49
360°	583.119.55	AL	-	TF07	1,0	41	58	71	82	18	74	49
	583.209.55	AL	-	TF07	1,0	71	100	122	141	31	74	49
	583.269.55	AL	-	TF07	1,0	103	145	178	205	45	74	49
	583.279.55	-	AN	TF10	1,0	106	150	184	212	47	100	78,5
	583.349.55	-	AN	TF10	1,0	159	225	276	318	70	100	78,5

E = narrowest free cross-section · *NPT on request

Please note: We do not recommend the operation with compressed air. Higher pressure generally means higher wear and smaller droplets. This might have adverse effects on the cleaning result. We recommend the use of a line strainer 0,3 mm/50 mesh.

Example for ordering:	Type	+	Connection	=	Ordering no.
	583.266.55.	+	AL	=	583.266.55.AL

* This product has been authorized to use the 3-A® Symbol by the 3-A® Sanitary Symbol Council Administrative Council for Spray Cleaning Devices (78-00).

For additional spray angles and nozzle sizes please refer to our brochure »Tank Cleaning Nozzles«.

