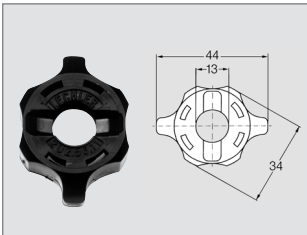
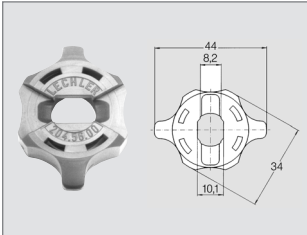




Accessories

Bayonet quick release system

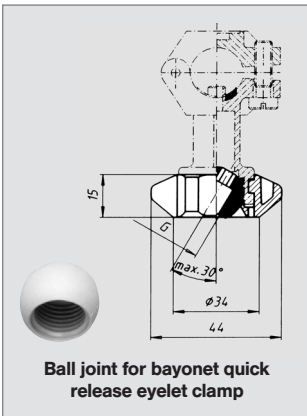
Bayonet quick release retainer caps
incl. gasket 065. 242. 73
(Material: rubber)



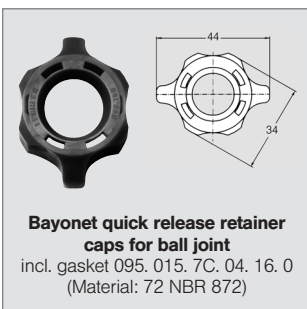
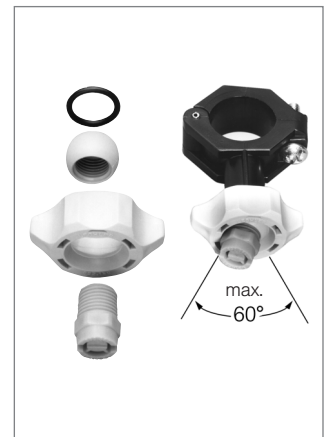
For series	Ordering no.		Material	Colour
	Type	Mat.-Nr.		
652/679		065. 202. 56. 00	POM	red
		065. 202. 53. 00	Polypropylene	grey
		065. 202. 5E. 00	PVDF	blue
2TR/468/684		065. 202. 56. 11	POM	black
		065. 202. 53. 11	Polypropylene	grey

Ball joint for bayonet quick release system

Inexpensive ball joint system for nozzles with 1/8" and 1/4" male thread.



For series	Ordering no.			Colour
	Type	Mat.-Nr.	Code	
		5E		
	PVDF	1/8 ISO 228	1/4 ISO 228	
For all nozzles with 1/8"- or 1/4"-male thread.	092. 150	●	AB AD	blue



For series	Ordering no.		Material	Colour
	Type	Mat.-Nr.		
For ball joint		092. 150. 5E. 00	PVDF	blue

Pressure/Temperature

T	P _{max}
65 °C	10 bar
80 °C	8 bar
100 °C	4 bar