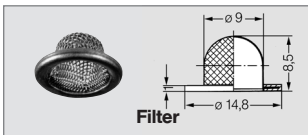
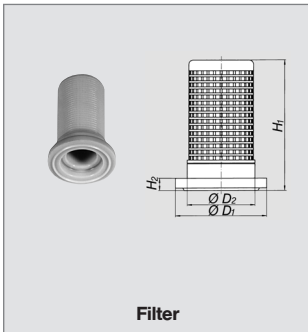
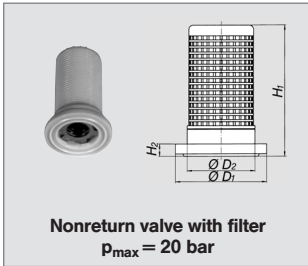




# Accessories

## Nonreturn valves / filters



For nozzle size	Ordering no.		Colour	Opening pressure [bar]	Closing pressure [bar]	Mesh size [mm]	Dimensions [mm]				Weight	
	Type	Mat.-no					H <sub>1</sub>	H <sub>2</sub>	D <sub>1</sub>	D <sub>2</sub>		
		56										26
		POM	Monel/Copper									
xxx.32x- xxx.44x	<b>065.265</b> Ball 1.4034 Spring 1.4310	○	-	red	0,5-1,0	0,4-0,9	0,25	21,5	2,0	14,8	11,0	2 g
	<b>065.266</b> Ball 1.4034 Spring 1.4310	○	-	yellow	0,5-1,0	0,4-0,9	0,65	21,5	2,0	14,8	11,0	2 g
xxx.48x- xxx.56x	<b>065.257</b>	○	-	red	-	-	0,25	21,5	2,0	14,8	11,0	2 g
	<b>065.256</b>	○	-	yellow	-	-	0,65	21,5	2,0	14,8	11,0	2 g
xxx.32x- xxx.44x	<b>065.252</b>	-	○	-	-	0,50	8,5	1,0	14,8	9,0	1 g	